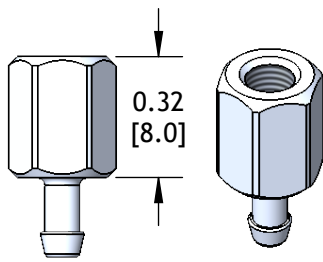
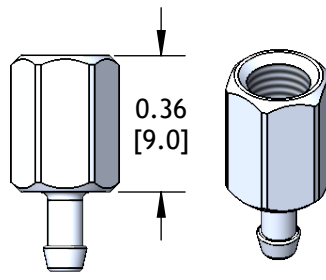


Ø 4-8 mm Cups - Standard



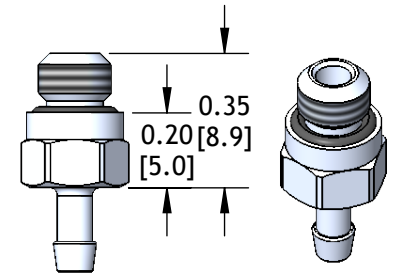
8-4F

Assembly Suffix:	-4F
Threads:	M4X0.7 Female
Thread Depth: in [mm]	0.23 [5.8]
Weight: oz [g]	0.04 [1.1]
Thru Hole: in [mm]	0.05 [1.3]
Hex Size: in [mm]	0.25 [6.4]
PE Filter:	N/A
SS Filter:	N/A



8-5F

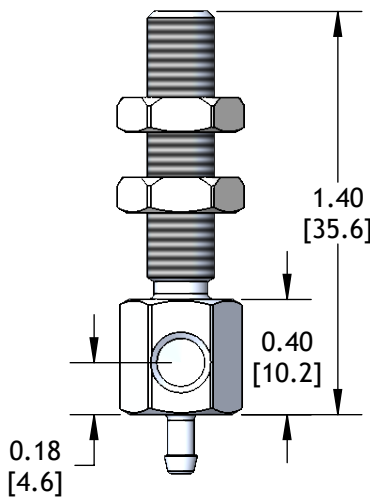
Assembly Suffix:	-5F
Threads:	M5X0.8 Female
Thread Depth: in [mm]	0.25 [6.4]
Weight: oz [g]	0.04 [1.1]
Thru Hole: in [mm]	0.06 [1.5]
Hex Size: in [mm]	0.31 [8.0]
PE Filter:	N/A
SS Filter:	N/A



8-10M

Assembly Suffix:	-10M
Threads:	10-32 Male
Weight: oz [g]	0.08 [2.3]
Thru Hole: in [mm]	0.06 [1.4]
Hex Size: in [mm]	0.25 [6.4]
PE Filter:	N/A
SS Filter:	N/A

Ø 4-8 mm Cups - Side Vacuum Port w/ Male Post

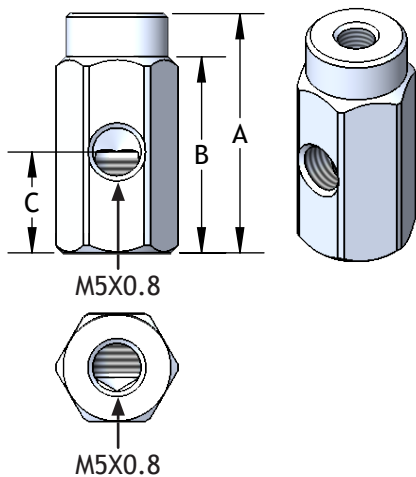


8-S5F-6M

Assembly Suffix:	-S5F-6M
Port Threads:	M5X0.8
Post Threads:	M6X1.0
Weight: oz [g]	0.22 [6.1]
Thru Hole: in [mm]	0.04 [1.0]
Hex Size: in [mm]	0.38 [9.5]
PE Filter:	N/A
SS Filter:	N/A

JN-M6X1.0 - Jam Nut - 2 Included

Ø 4-8 mm Cups - Side Vacuum Port w/ Female Port



Technical Data

Fitting	Assembly Suffix	Weight oz [g]	Hex Size in [mm]	PE Filter	SS Filter
5F-S5F-4F	-S5F-4F	0.13 [3.7]	0.38 [9.5]	N/A	N/A
5F-S5F-5F	-S5F-5F	0.13 [3.7]	0.38 [9.5]	N/A	N/A
5F-S5F-6F	-S5F-8F	0.18 [5.0]	0.44 [11.1]	N/A	N/A

Dimensions

Fitting	A in [mm]	B in [mm]	C in [mm]	Thread	Thread Depth in [mm]
5F-S5F-4F	0.83 [21.0]	0.68 [17.3]	0.35 [8.9]	M4X0.7	0.22 [5.6]
5F-S5F-5F	0.83 [21.0]	0.68 [17.3]	0.35 [8.9]	M5X0.8	0.22 [5.6]
5F-S5F-6F	0.86 [22.0]	0.63 [16.0]	0.33 [8.4]	M6X1.0	0.33 [8.4]

For use with 8-10M and 10-10M fittings.