

Full-Size SERIES 380 Modular Clean Air Package

AAM1D0A1A9 Models Port Sizes: 3/8, 1/2, 3/4



Model Shown: AAM1D0A1J9D

The general purpose filter in this assembly removes gross contaminants, while the coalescing filter removes oil mists, aerosols, and minute particles. Finally, the adsorbing filter effectively eliminates odors from Freons, alcohols, esters, ketones, and up to 99% of most hydrocarbons.

- ◆ General purpose filter (FD380) with 5- μ m-rated polyethylene filter element.
- ◆ Coalescing filter with 0.3- μ m-rated coalescing element; optional 0.01- μ m element.
- ◆ Adsorbing filter with activated carbon element.
- ◆ Modular or inline mounting.
- ◆ Polycarbonate plastic bowls with steel shatterguards; optional metal bowls.
- ◆ Optional extended metal bowls for coalescing and adsorbing filters include higher flow filter elements.
- ◆ Internal automatic drains for general purpose and coalescing filters. Manual drain for adsorbing filter.
- ◆ Differential pressure gauge on coalescing filter to indicate when element needs changing.
- ◆ NPTF port threads; optional BSPP threads.

SPECIFICATIONS

Ambient/Media Temperature:

Plastic Bowl, all drain types: 40° to 125°F (4° to 52°C).

Metal Bowl, manual & auto drains: 40° to 175°F (4° to 79°C).

Metal Bowl, float drains: 40° to 150°F (4° to 66°C).

Bowls: 9-Ounce (270-ml) capacity polycarbonate plastic bowls with steel shatterguards. Optional aluminum bowls; clear nylon sight glass on general purpose and coalescing units. Optional 15-ounce (450-ml) extended aluminum bowls with higher flow elements for coalescing and adsorbing filters.

Cap Color: Grey. Yellow, red, blue optional.

Filter Drains: Internal automatic drains for general purpose and coalescing filters; manual drain for adsorbing filter.

Filter Elements:

General Purpose: 5- μ m-rated polyethylene.

Coalescing: 0.3- μ m-rated borosilicate glass-fiber; optional 0.01- μ m-rated element.

Adsorbing: Activated carbon with urethane seals.

Fluid Media: Compressed air.

Inlet Pressure:

15 psig (1 bar) minimum with automatic drain.

Plastic bowls: 150 psig (10 bar) maximum.

Metal bowls: 200 psig (14 bar) maximum.

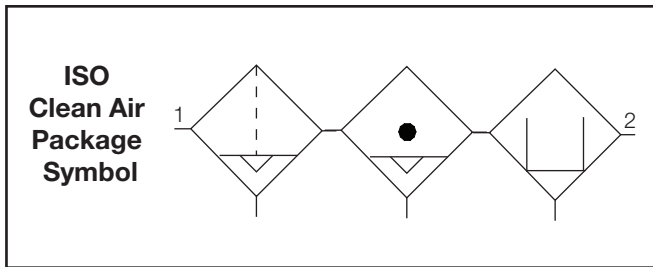
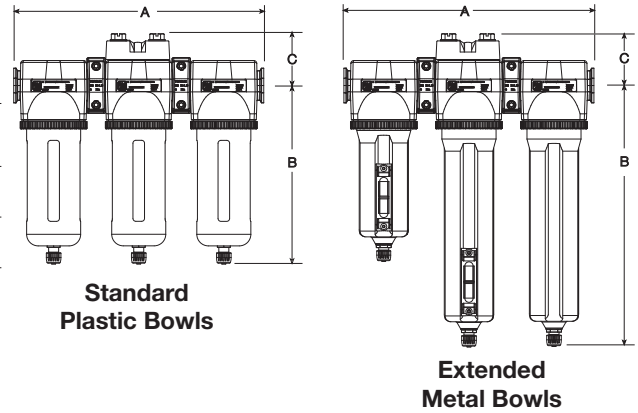
AIR FLOW and CONSTRUCTION DATA

See Flow Charts and Specifications for individual assembly components on preceding pages.

DIMENSIONS inches (mm)

Bowls	A	B †	C	Depth	Weight lb (kg)
Standard	10.9 (276)	7.7 (195)	2.2 (55)	2.9 (73)	6.63 (3.01)
Extended	10.9 (276)	11.2 (284)	2.2 (55)	2.9 (73)	7.00 (3.18)

† Bowl removal clearance: add 3.4 (86) for 9-ounce bowl;
6.1 (155) for extended bowl.



REPLACEMENT FILTER ELEMENT KITS

Element Type	Kit Number
General Purpose	
5- μ m (Std element)	A115-106PE5
Coalescing:	
0.3 μ m Standard bowl (Std element)	A115-117
0.3 μ m Extended bowl.....	A115-118
0.01 μ m Standard bowl	A115-117E8
0.01 μ m Extended bowl	A115-118E8
Adsorbing:	
Standard bowl (Std cartridge)	A115-117E9
Extended bowl.....	A115-118E9

ORDERING INFORMATION

Change the letters in the sample model number below to specify the Clean Air Package you want.

A A M 1 D 0 A 1 A 9 6

CAP COLOR

- Grey A
- Yellow..... B
- Red C
- Blue D

BOWL TYPE

- 9-Ounce plastic A
- 9-Ounce metal B
- Metal: 9-ounce general purpose ... D
filter; 15-ounce coalescing
and adsorbing filters

COALESCING FILTER ELEMENT

- 0.3- μ m element (Std) D
- 0.01- μ m element E

DRAIN TYPES

- Manual drain for general purpose ... 0
and coalescing filters
- Internal automatic drain for 1
general purpose and
coalescing filters

PORT SIZE

- 3/8 NPTF..... 3
- 1/2 NPTF..... 4
- 3/4 NPTF..... 6
- 3/8 BSPP C
- 1/2 BSPP D
- 3/4 BSPP E

DIFFERENTIAL PRESSURE GAUGES: For additional gauge options see page 291.

- No gauge on coalescing filter..... 0
- Small gauge (K103-151) on 9
coalescing filter (standard)
- Large gauge (106-35) on A
coalescing filter

PORTS & MOUNTING BRACKETS

- No end ports or brackets..... A
- Mounting brackets only J
- Female end ports with K
mounting brackets