

# SERIES 350 Modular Clean Air Package

# BAG1D0A6A93 Models Port Sizes: 1/4, 3/8, 1/2



**Model Shown:** BAG1D0A6A93

The general purpose filter in this assembly removes gross contaminants, while the coalescing filter removes oil mists, aerosols, and minute particles. Finally, the adsorbing filter effectively eliminates odors from Freons, alcohols, esters, ketones, and up to 99% of most hydrocarbons.

## SPECIFICATIONS

### Ambient/Media Temperature

Plastic Bowl, all drain types: 40° to 125°F (4° to 52°C).  
Metal Bowl, manual & auto drains: 40° to 175°F (4° to 79°C).  
Metal Bowl, float drains: 40° to 150°F (4° to 66°C).

**Body:** Die-cast zinc.

**Bowl:** 5.1-Ounce (151-ml) capacity polycarbonate plastic with nylon shatterguard; optional 6.0 ounce (177-ml) aluminum bowl with clear nylon sight glass. (For coalescing and adsorber filter only) optional 10-ounce (300-ml) extended aluminum bowl with clear nylon sight glass and higher flow filter element.

### Bowl Drain

**filter and coalescing filter:** Internal float drain; by removing the adjustment knob, a 3/16" (5mm) flexible tube can be connected to drain effluents. Optional manual drain.

**Adsorber filter:** Manual drain only.

**Cap Color:** Yellow, optional red, blue and grey.

**Differential Pressure Gauge:** Cannot be added in the field.

### Elements:

**Filter:** 5-µm-rated polyethylene.

**Coalescing:** 0.3-µm-rated borosilicate-glass-fiber; optional 0.01-µm-rated element (reduces flow by 20%).

**Adsorbing:** Activated carbon with urethane seals.

**Fluid Media:** Compressed air.

### Inlet Pressure:

Plastic bowl & manual drain: 0-150 psig (0-10 bar).

Plastic bowl & Float drain: 30-150 psig (2-10 bar).

Metal bowl & manual drain: 0-250 psig (0-17 bar).

Metal bowl & Float drain: 30-200 psig (2-14 bar).

**Seals:** Nitrile

## GENERAL

- ◆ Modular or inline mounting.
- ◆ Color caps available for visual management systems. (Blue, red, yellow and grey). Consult factory for custom colors.
- ◆ Front mounted modular clamping design with encapsulated screws.
- ◆ Compatible with modular 380 series of products.
- ◆ **NPTF** port threads; optional **BSPP** threads.
- ◆ Polycarbonate plastic bowl with shatterguard. Optional metal bowl.
- ◆ Inlet pressure rated at 250 psig (17 bar) with metal bowls up to 175° F. (79° C).
- ◆ This configuration in conjunction with a carbon monoxide monitor, can allow end users to achieve "grade D" breathing air as defined by the compressed gas association commodity specification: G-7.1 ([www.cganat.com](http://www.cganat.com)). Does not remove carbon monoxide or convert CO to CO<sub>2</sub>, or remove other toxic gases.

## FILTER INFORMATION

- ◆ Designed to remove particulate material to 5 micron from the airstream to protect downstream equipment.
- ◆ Optional bronze 5-µm-rated, 20-µm-rated, and 40-µm-rated. 5-µm-rated Polyethylene filter elements are standard.
- ◆ Superior removal of free water up to 98% efficiency
- ◆ Removal of effluents via manual or automatic float drains.

## COALESCING FILTER

- ◆ Designed to remove particulate material 99.98% of free oils and solid contaminants 0.3 microns and larger.
- ◆ Optional 0.01-µm-rated element.
- ◆ Removal of effluents via manual or automatic drains.
- ◆ Coalescent elements are absolute rated.
- ◆ Optional differential pressure gauge to indicate when filter element needs changing.

## ADSORBING FILTER

- ◆ Designed to remove oil vapor that cannot be removed by a coalescent filter. Also removes odors and tastes.
- ◆ Filter cartridge contains activated carbon.

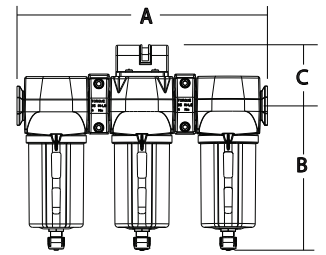
## AIR FLOW and CONSTRUCTION DATA

See Flow Charts and Specifications for individual assembly components on preceding pages.

## DIMENSIONS inches (mm)

Bowl	A	B †	C	Depth	Weight lb (kg)
Std plastic	9.58 (243.3)	5.54 (140.7)	2.38 (59.3)	2.51 (63.8)	4.3 (2.0)
Std metal	9.58 (243.3)	6.42 (163.1)	2.38 (59.3)	2.76 (70.1)	4.6 (2.1)
Ext metal	9.58 (243.3)	9.51 (241.6)	2.38 (59.3)	2.76 (70.1)	4.9 (2.2)

† **Bowl (standard) removal clearance:** add 3.1 (79)  
 † **Bowl (extended) removal clearance:** add 6.1 (155)



**Standard Plastic Bowls**

### REPLACEMENT ELEMENT KITS

#### Filter Elements:

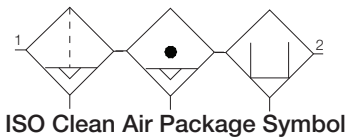
5-µm Polyethylene (Std element) .....	A60F-03PE5
40-µm Bronze .....	A60F-03E3
5-µm Bronze .....	A60F-03E5
20-µm Bronze .....	A60F-03E4

#### Coalescing Elements:

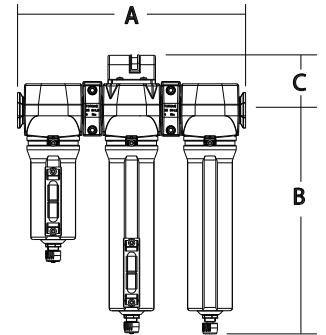
0.3 µm Standard for plastic bowl .....	A60F-23
0.3 µm Standard for metal bowl .....	A60F-29
0.3 µm Extended for metal bowl .....	A60F-32
0.01 µm Standard for plastic bowl .....	A60F-23E8
0.01 µm Standard for metal bowl .....	A60F-29E8
0.01 µm Extended metal bowl .....	A60F-32E8

#### Adsorbing Elements:

Standard (Std element) .....	A60F-29E9
Extended .....	A60F-32E9



ISO Clean Air Package Symbol



**Extended Metal Bowls**

## ORDERING INFORMATION

Change the letters in the sample model number below to specify the Clean Air Package you want.

B A G1 D 0A 6 A 9 3

<p><b>CAP COLOR</b></p> <p>Yellow (standard) ..... B</p> <p>Red ..... C</p> <p>Mid blue ..... D</p> <p>Grey ..... A</p> <p><b>BOWL TYPE</b></p> <p>All plastic standard bowls ..... A</p> <p>All metal standard bowls ..... B</p> <p>All metal standard bowl filter, extended ..... D</p> <p style="padding-left: 20px;">metal bowls on coalescing and adsorber.</p> <p><b>COALESCING AND ADSORBER FILTERS</b></p> <p>FC350 and FC350-E9 ..... D</p> <p>FC350-E8 and FC350-E9 ..... E</p> <p><b>DRAIN TYPE</b></p> <p>Manual drain on all bowls ..... 0</p> <p><b>Plastic Bowl only:</b> Float drain on filter and coalescing, manual ..... 6</p> <p style="padding-left: 20px;">drain on adsorber (plastic stem).</p> <p><b>Plastic Bowl only:</b> Float drain on filter, manual drain on ..... 7</p> <p style="padding-left: 20px;">coalescing and adsorber (plastic stem).</p> <p><b>Metal Bowl only:</b> Float drain on filter and coalescing, manual ..... 8</p> <p style="padding-left: 20px;">drain on adsorber.</p> <p><b>Metal Bowl only:</b> Float drain on filter, manual drain on ..... 9</p> <p style="padding-left: 20px;">coalescing and adsorber.</p>	<p><b>PORT SIZE</b></p> <p>1/4 NPTF ..... 2</p> <p>3/8 NPTF ..... 3</p> <p>1/2 NPTF ..... 4</p> <p>1/4 BSPP ..... B</p> <p>3/8 BSPP ..... C</p> <p>1/2 BSPP ..... D</p> <p><b>DIFFERENTIAL PRESSURE GAUGE</b></p> <p>No gauge ..... 0</p> <p>Gauge on filter and coalescing filter ..... 7</p> <p>Gauge on Coalescing filter ..... 9</p> <p><b>EXTERNAL PORTS, MOUNTING BRACKETS</b></p> <p>No mounting bracket ..... A</p> <p>Mounting bracket ..... J</p> <p>Female external ports with ..... K</p> <p style="padding-left: 20px;">mounting brackets</p>
---	--