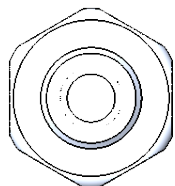
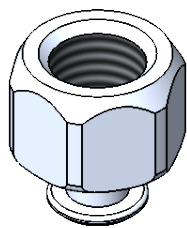
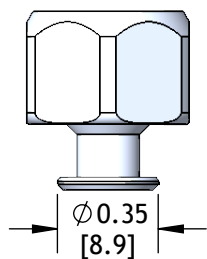


Ø 20-35 mm Cups - Female



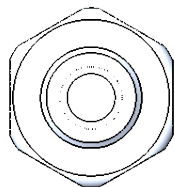
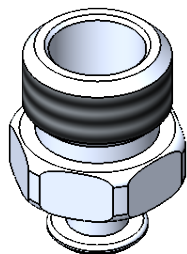
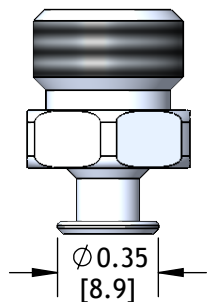
Technical Data

Fitting	Assembly Suffix	Weight oz [g]	PE Filter	SS Filter
32-5F	-5F	0.09 [2.6]	N/A	N/A
32-6F	-6F	0.23 [6.5]	N/A	N/A
32-8F	-8F	0.20 [5.7]	N/A	N/A
32-18F	-18F	0.12 [3.4]	FD339	FS350
32-G14F	-G14F	0.26 [7.3]	N/A	FS500

Dimensions

Fitting	Hex Height in [mm]	Hex Size in [mm]	Thru Hole in [mm]	Thread	Thread Depth in [mm]
32-5F	0.25 [6.4]	0.50 [12.7]	0.17 [4.2]	M5X0.8	0.20 [5.1]
32-6F	0.55 [14.0]	0.56 [14.5]	0.14 [3.6]	M6X1.0	0.25 [6.4]
32-8F	0.55 [14.0]	0.56 [14.5]	0.14 [3.6]	M8X1.25	0.32 [8.1]
32-18F	0.40 [10.0]	0.56 [14.5]	0.17 [4.2]	G 1/8 NPSF	0.25 [8.4]
32-G14F	0.65 [16.4]	0.69 [17.5]	0.17 [4.2]	G 1/4	0.45 [11.4]

Ø 20-35 mm Cups - Male



Technical Data

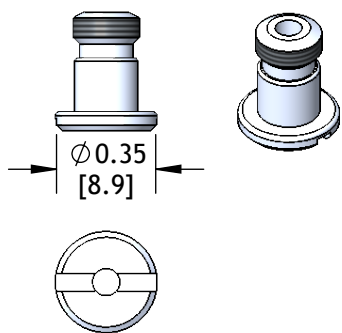
Fitting	Assembly Suffix	Weight oz [g]	PE Filter	SS Filter
32-5M	-5M	0.09 [2.6]	N/A	N/A
32-6M	-6M	0.11 [3.2]	N/A	N/A
32-8M	-8M	0.12 [3.4]	N/A	N/A
32-18M ¹	-18M	0.08 [2.3]	N/A	FS285
32-14M	-14M	0.18 [5.1]	N/A	FS350
32-G14M	-G14M	0.16 [4.5]	N/A	FS350

Dimensions

Fitting	Hex Height in [mm]	Hex Size in [mm]	Thru Hole in [mm]	Thread	Thread Length in [mm]
32-5M	0.20 [5.1]	0.50 [12.7]	0.08 [2.0]	M5X0.8	0.19 [4.8]
32-6M	0.20 [5.1]	0.56 [14.2]	0.10 [2.5]	M6X1.0	0.23 [5.9]
32-8M	0.20 [5.1]	0.56 [14.2]	0.14 [3.6]	M8X1.25	0.32 [8.1]
32-18M ¹	0.11 [2.8]	0.56 [14.2]	0.16 [4.1]	G 1/8 NPSF	0.24 [6.1]
32-14M	0.20 [5.1]	0.69 [17.5]	0.17 [4.2]	1/4 NPTF	0.35 [9.0]
32-G14M	0.20 [5.1]	0.69 [17.5]	0.17 [4.2]	G 1/4	0.35 [9.0]

¹32-18M also has M5X0.8 Female threads 0.22 [5.7] deep.

Ø 20-35 mm Cups - Male Stud



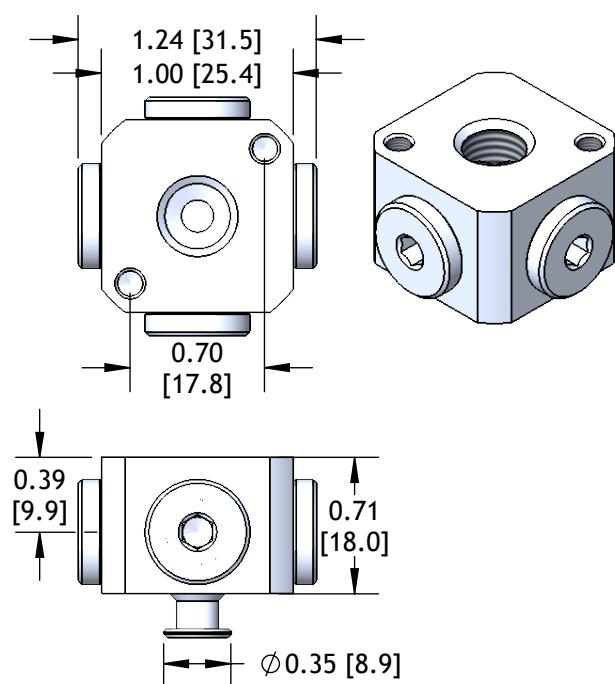
Technical Data

Fitting	Assembly Suffix	Weight oz [g]	PE Filter	SS Filter
32-6MS	-6MS	0.02 [0.7]	N/A	N/A
32-10MS	-10MS	0.02 [0.7]	N/A	N/A

Dimensions

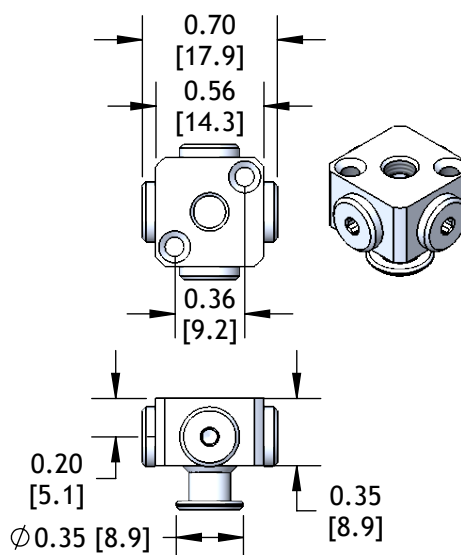
Fitting	Slot Width in [mm]	Thru Hole in [mm]	Thread	Thread Length in [mm]	Total Height in [mm]
32-6MS	0.06 [1.5]	0.09 [2.3]	M6X1.0	0.16 [4.1]	0.41 [10.4]
32-10MS	0.06 [1.5]	0.09 [2.3]	10-32	0.16 [4.1]	0.41 [10.4]

Ø 20-35 mm Cups - Cross Fittings



32-5X18F

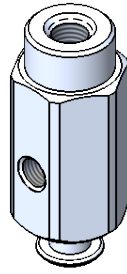
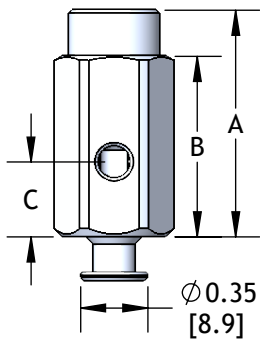
Assembly Suffix:	-5X18F
Threads:	G 1/8 NPSF (5)
Mount Threads:	M4X0.7 (2)
Weight: oz [g]	1.00 [28.3]
Thru Hole: in [mm]	0.17 [4.2]
PE Filter:	N/A
SS Filter:	N/A



32-5X5F

Assembly Suffix:	-5X5F
Threads:	M5X0.8 (5)
Mount Threads:	M3X0.5 (2)
Weight: oz [g]	0.18 [5.0]
Thru Hole: in [mm]	0.17 [4.2]
PE Filter:	N/A
SS Filter:	N/A

Ø 20-35 mm Cups - M5 Female Side Vacuum Port w/ Female Mount



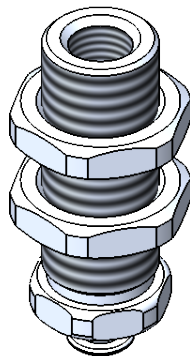
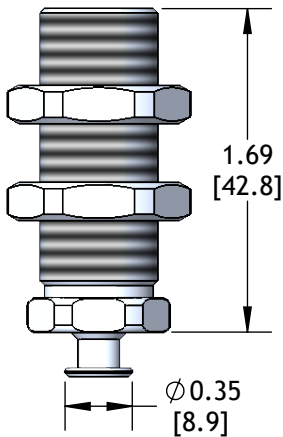
Technical Data

Fitting	Assembly Suffix	Weight oz [g]	Hex Size in [mm]	PE Filter	SS Filter
32-S5F-5F	-S5F-5F	0.34 [9.6]	0.56 [14.3]	N/A	N/A
32-S5F-6F	-S5F-6F	0.43 [12.8]	0.56 [14.3]	N/A	N/A
32-S5F-8F	-S5F-8F	0.41 [11.0]	0.56 [14.3]	N/A	N/A

Dimensions

Fitting	A in [mm]	B in [mm]	C in [mm]	Mount Thread	Thread Depth in [mm]
32-S5F-5F	0.89 [22.1]	0.69 [17.5]	0.35 [8.9]	M5X0.8	0.30 [7.6]
32-S5F-6F	1.18 [30.0]	0.94 [23.9]	0.39 [9.9]	M6X1.0	0.25 [6.3]
32-S5F-8F	1.18 [30.0]	0.87 [22.0]	0.39 [9.9]	M8X1.25	0.32 [8.1]

Ø 20-35 mm Cups - Tool Mount

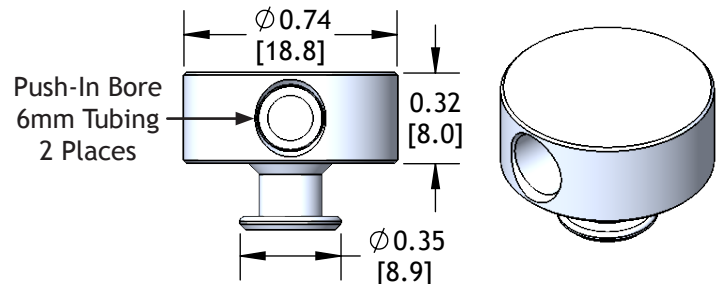


32-18FX40

Assembly Suffix:	-18FX40
Female Threads:	G 1/8 NPSF
Thread Depth: in [mm]	0.38 [9.7]
Post Threads:	M16X1.0
Hex Size: in [mm]	0.69 [17.5]
Hex Height: in [mm]	0.18 [4.6]
Weight: oz [g]	0.78 [22.1]
Thru Hole: in [mm]	0.16 [4.1]
PE Filter:	FD339
SS Filter:	FS350

JN-M16X1 - Jam Nut - 2 Included

Ø 20-35 mm Cups - Die Cutting



32-DC75X31

Assembly Suffix:	-DC75X31
Weight: oz [g]	0.18 [5.2]
Thru Hole: in [mm]	0.16 [4.1]
PE Filter:	N/A
SS Filter:	N/A