

HIGH-FLOW VANGUARD Clean Air Package

BDFCD100-E8 Models Port Sizes: 3/4, 1



Model Shown: BDFCD100-8E8

These assemblies consist of two filters: a general purpose filter, and a coalescing filter. The general purpose filter removes gross contaminants, while the coalescing filter removes oil mists, aerosols, and minute particles.

SPECIFICATIONS

Ambient/Media Temperature:

Manual & auto drains: 40° to 175°F (4° to 79°C).

Float drains: 40° to 150°F (4° to 66°C).

Body: Aluminum.

Bowls: 16-Ounce (480-ml) capacity aluminum. Clear nylon sight glass on general purpose and coalescing filters. Bowls are rotatable for easy readability.

Bowl Ring: Aluminum.

Filter Bowl Drains:

Internal automatic drains for general purpose and coalescing filters.

Filter Elements: General purpose: 5- μ m-rated polyethylene; optional 5- μ m sintered bronze.
Coalescing: 0.3- μ m-rated borosilicate glass fiber; optional 0.01- μ m-rated element.

Fluid Media: Compressed air.

Inlet Pressure:

Minimum: 15 psig (1 bar).

Maximum: 200 psig (14 bar).

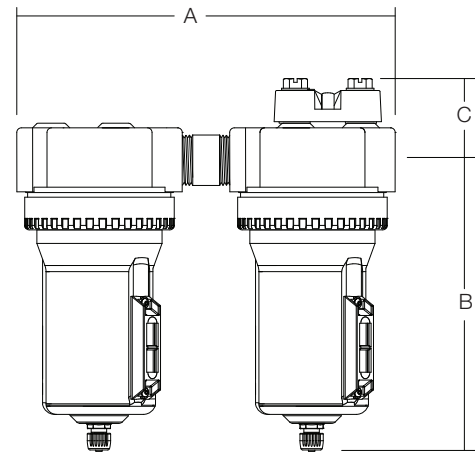
- ◆ Inline mounting.
- ◆ 5- μ m-rated polyethylene general purpose filter element.
- ◆ 0.3- μ m-rated coalescing filter element; optional 0.01- μ m element.
- ◆ Metal bowls. Clear nylon sight glass on general purpose and coalescing filters. Bowls rotatable for easy readability.
- ◆ Internal automatic filter drain for general purpose and coalescing filters.
- ◆ Differential pressure gauge on coalescing filter to indicate when filter element needs changing.
- ◆ NPTF port threads; optional BSPP threads.

AIR FLOW and CONSTRUCTION DATA

See Flow Charts and Specifications for individual assembly components on preceding pages.

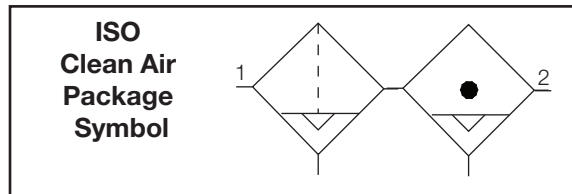
DIMENSIONS inches (mm)

| A | B | C | Depth | Weight lb (kg) |
|----------|-----------|----------|-----------|-------------------|
| 10 (255) | 7.8 (199) | 2.3 (58) | 4.2 (106) | 5.00 (2.27) |



REPLACEMENT FILTER ELEMENT KITS

| Element | Model Usage | Kit Number |
|--------------------------|------------------------|------------|
| 5- μ m Plastic (Std) | General purpose filter | KA109-3PE |
| 5- μ m Bronze | General purpose filter | KA109-03E5 |
| 0.3- μ m (Std) | Coalescing filter | A109-106 |
| 0.01- μ m | Coalescing filter | A109-106E8 |



ORDERING INFORMATION

If product number exceeds 15 characters consult factory for new number:

B FD FCD 100 S - 6 E5 E8 W

FILTER BOWL DRAIN

Internal automatic drain..... FD
 Manual drain F
 Internal float drain (*brass stem*) F6A

COALESCING FILTER BOWL DRAIN

Internal automatic drain..... FCD
 Manual drain FC
 Internal float drain (*brass stem*) FC6A

DIFFERENTIAL PRESSURE GAUGE

No gauge Leave Blank

(Add **NG** option after **COALESCING
 FILTER ELEMENT TYPE.**)

Large differential pressure gauge ... Leave Blank
 Small differential pressure gauge ... S
 Large differential pressure gauge ... E
 with normally open reed switch.
 Large differential pressure gauge ... E2
 with normally closed reed switch.

PORT TYPE

NPTF Leave Blank
 BSPP W

COALESCING ELEMENT TYPE

0.3- μ m element Leave Blank
 0.01- μ m element E8

FILTER ELEMENT TYPE

5 micron bronze E5
 element.
 5 micron polyethylene .. Leave Blank
 element.

PORT SIZE

3/4 NPTF 6
 1 NPTF 8

DIFFERENTIAL PRESSURE GAUGES



Small Slide Gauge
K103-151



Large Dual Face Gauge
106-35



Large Dual Face Gauge
with Reed Switch
106-35E (Normally Open)
106-35EC (Normally Closed)